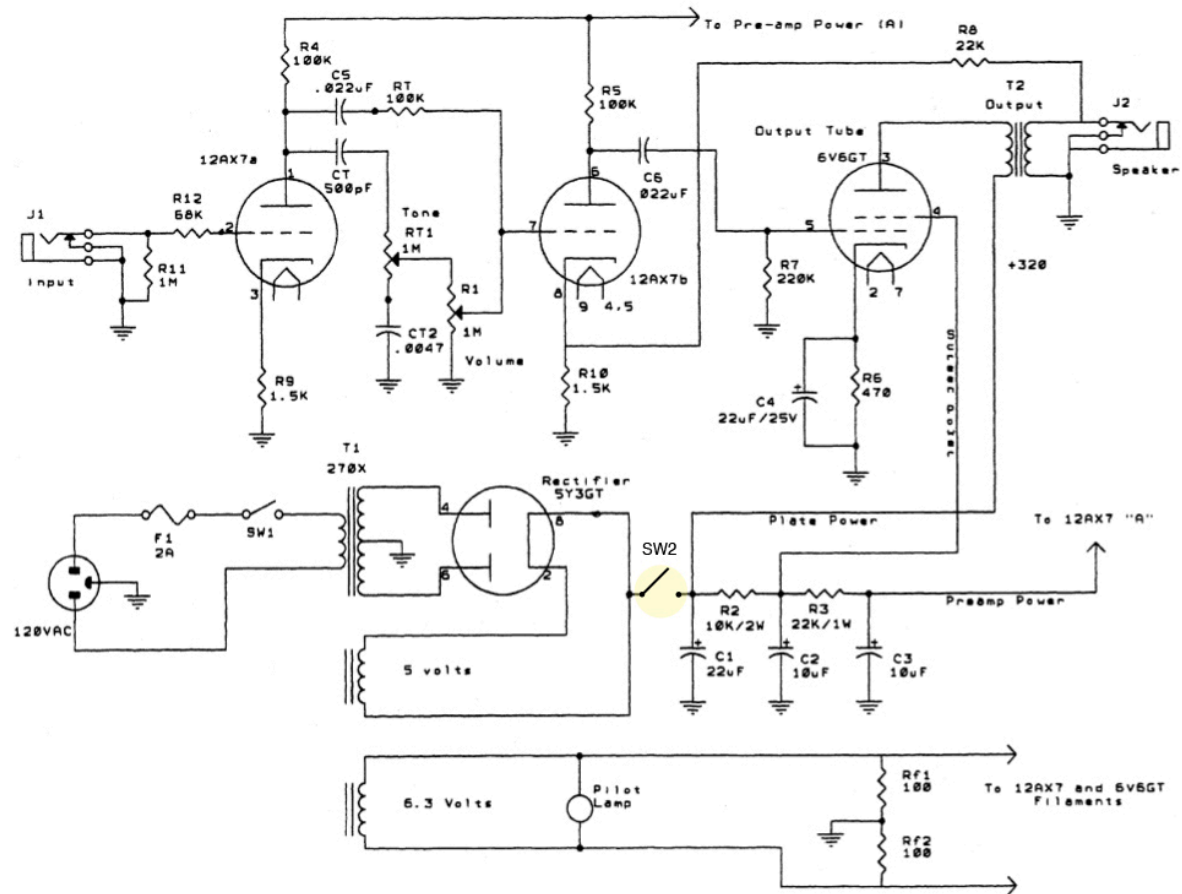




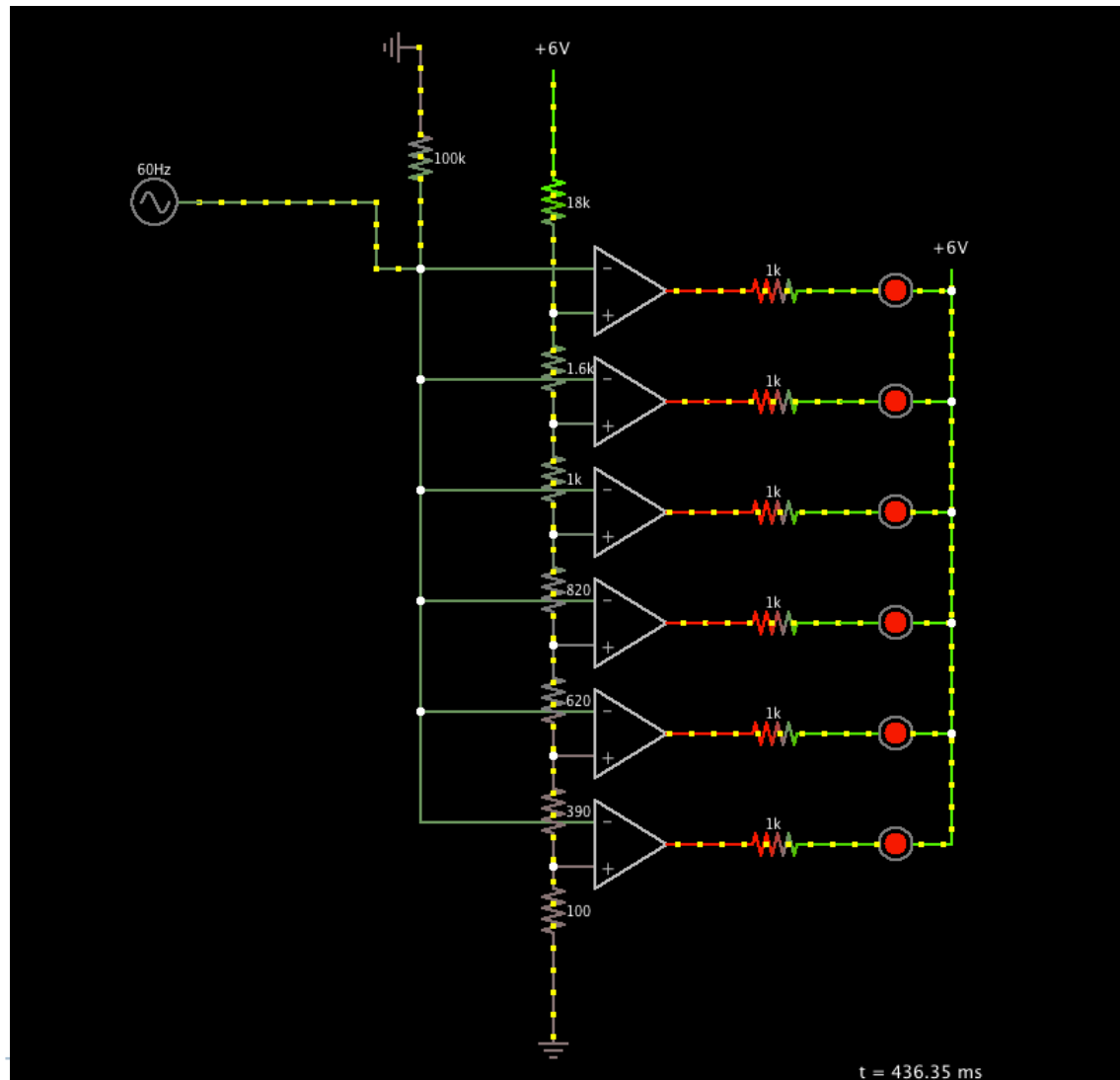
1930's Radio Amplifier

Philip Beard

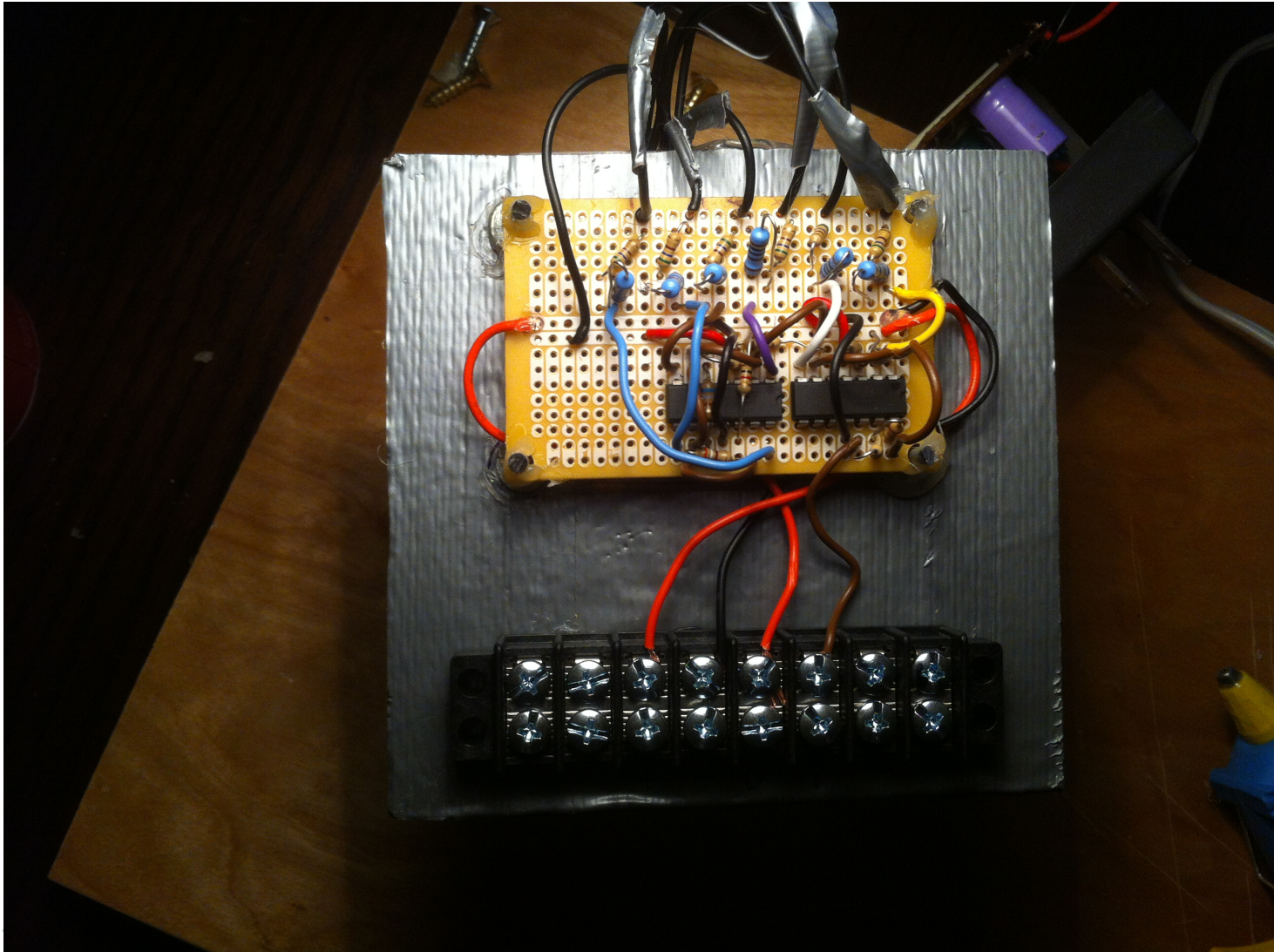
Fender Champ Standby Switch Alteration



Comparator Circuit



Boarded Comparator Circuit



Links

▶ PlexiGlass Comparator

<http://www.youtube.com/watch?v=wHLhmL5CnWw>

▶ Imgur Album

<http://imgur.com/a/Qrv2r>

▶ Prototype Comparator

<http://www.youtube.com/watch?v=CuBFvxXP-fE>

